



通用技术哈量公司
GENERTEC HMCT

BLUETOOTH DIGITAL MEASURING TOOL

蓝牙数显量具

全系列





COMPANY >> INTRODUCTION

企业概况

通用技术集团哈尔滨量具刃具有限责任公司（简称“通用技术哈量公司”）隶属于中央直接管理的国有重要骨干企业中国通用技术（集团）控股有限责任公司。通用技术哈量公司成立于1952年，是我国“一五”期间156项重点工程中唯一制造工量具产品的企业，被称为“中国工量具制造业的摇篮”。

通用技术哈量公司“连环（LINKS）”、“KELCH”品牌在国内外享有较高的市场知名度，企业先后被授予国家技术创新示范企业、国家知识产权优势企业、博士后科研工作站、机械工业数控工具系统工程研究中心、机械工业齿轮量仪重点实验室。面对新的发展机遇，通用技术哈量公司深入贯彻新发展理念，突出技术创新，着力建设成为国内领先、国际一流的量量量仪及精密刀具科技型专业制造企业。

Genertec Harbin Measuring & Cutting Tool Co Ltd.(abbreviated as GENERTEC HMCT) is affiliated to China General Technology (Group) Holding Co., Ltd., a key state-owned enterprise directly managed by the central government. Established in 1952, GENERTEC HMCT was the only enterprise dedicated to the manufacturing of measuring and cutting tools among the 156 key projects of China's First Five-Year Plan, earning the reputation as the "Cradle of China's Measuring and Cutting Tool Industry."

The brands "LINKS" and "KELCH" under General Technology Hali enjoy significant market recognition both domestically and internationally. The company has been honored with titles such as National Technological Innovation Demonstration Enterprise, National Intellectual Property Advantage Enterprise, Postdoctoral Research Workstation, Engineering Research Center for CNC Tool Systems in the Machinery Industry, and Key Laboratory for Gear Measuring Instruments in the Machinery Industry. In response to new development opportunities, GENERTEC HMCT thoroughly implements the new development philosophy, prioritizing technological innovation, and is committed to becoming a leading domestic and world-class scientific and professional manufacturer of measuring instruments, gauges, and precision cutting tools.



通用技术集团哈尔滨量具刃具有限责任公司办公大楼

诚信经营 信誉第一

Integrity management, Reputation first

We're scincere ...

“诚实守信”作为通用技术哈量公司员工素质训的重要内容，已化为企业的行为方式和员工的自觉行动贯穿于生产经营活动的全过程，企业一直坚持“以顾客满意为宗旨，以产品零缺陷为目标”的质量方针，不断创造着顾客满意的产品与服务。顾客的信赖是哈量创新发展的源泉和动力，哈量将以“进取在每一天”的企业精神，用先进的技术、优质的产品、真诚的服务回报我们的顾客。

As the important content of GENERTEC HMCT staff quality training, "Honest and Trustworthy" has been integrated into enterprise manners and staff conscious actions through the whole production and business activities. Enterprise maintains "Null defect of products as our goal and satisfaction of customers as our object" as the quality principal, and continuous create satisfied products and services for customers. Trust of customer is the source and power for innovation and development of GENERTEC HMCT. GENERTEC HMCT will keep the enterprise spirit "make a progress everyday" and repay customers with advanced technology, high-quality products and sincere service.



Enterprise Honor



专业优势 创新发展

Professional advantage, Innovative development

We're making innovations...



伴随着共和国成长脚步，通用技术哈量公司经过七十年的创新发展，其专业的研发水平、加工能力、生产规模及产品质量达到了同行业领先水平，连环牌产品以其雄厚的品牌实力和品质畅销全国及欧洲等 30 多个国家和地区，深受用户的信赖和好评。

面对新的发展机遇，通用技术哈量公司深入贯彻新发展理念，突出技术创新，着力建设成为国内领先、国际一流的量具量仪及精密刀具科技型专业制造企业。

Along with the growth of PRC, GENERTEC HMCT experiences 70 years of innovative development, the professional research and development level, processing ability, production scale and products quality have reached advanced level of same industry. With strong brand strength and excellent quality, LINKS products are well sold to more than 30 countries and areas all over domestic and abroad markets, and earns user's trust and good comments.

In the face of new development opportunities, GENERTEC HMCT implements the new development concept thoroughly, highlights technological innovation, and strives to build into a measuring instrument and precision tool technology professional manufacturing enterprise with domestic-leading measuring tool and international first-class.



目 录 CONTENTS

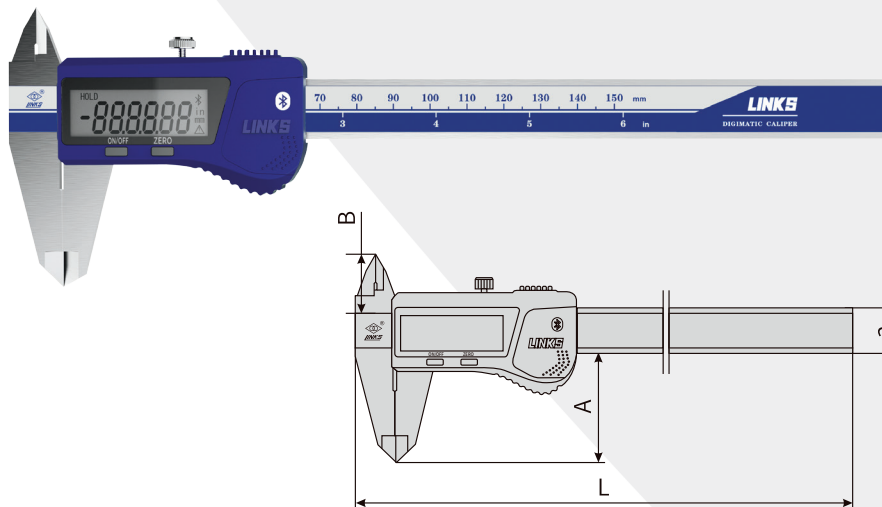
| | |
|---------------------|---|
| 蓝牙数显卡尺 605C..... | 1 |
| 蓝牙数显卡尺 605F..... | 2 |
| 蓝牙数显深度卡尺 615B..... | 3 |
| 蓝牙数显深度卡尺 615C..... | 4 |
| 蓝牙数显高度卡尺 611A..... | 5 |
| 蓝牙数显外径千分尺 704B..... | 6 |
| 蓝牙数显深度千分尺 713B..... | 7 |
| 蓝牙数显百分表 806A..... | 8 |
| 蓝牙数显千分表 806B..... | 9 |

| | |
|--|---|
| Bluetooth Digital Calipers 605C..... | 1 |
| Bluetooth Digital Calipers 605F..... | 2 |
| Bluetooth Digital Depth Calipers 615B..... | 3 |
| Bluetooth Digital Depth Calipers 615C..... | 4 |
| Bluetooth Digital Height Calipers 611A..... | 5 |
| Bluetooth Digital Outside Micrometer 704B..... | 6 |
| Bluetooth Digital Depth Micrometer 713B..... | 7 |
| Bluetooth 0.01mm Digital Indicators 806A..... | 8 |
| Bluetooth 0.001mm Digital Indicators 806B..... | 9 |

Bluetooth Digital Calipers 605C

蓝牙数显卡尺 605C

- 采用段码式液晶显示屏显示测量数据
 - 方便的操作按键，测量数据保持等功能
 - 3V 锂电池供电，单尺可工作一年
 - 内置高效蓝牙模块，实现测量数据即时无线传输至智能平板电脑或 PC，无缝对接各类数据分析软件，让数据记录、分析、报告一气呵成，大幅提升工作效率与决策速度。
 - 可测量工件内径，外径，深度，台阶
- The measurement data is displayed on a segment-coded LCD display.
 - Convenient operation buttons, measurement data retention and other functions.
 - 3V lithium battery power supply, single foot can work for one year.
 - Built-in high-performance Bluetooth module enables real-time wireless transmission of measurement data to tablets, or PCs. It ensures seamless compatibility with diverse data analysis software platforms, streamlining the entire workflow from data logging and analysis to report generation. This integration significantly enhances operational efficiency and accelerates decision-making processes.
 - It can measure the inner diameter, outer diameter, depth, and steps of the workpiece.



单位 (Unit) : mm

| 编号 Item No. | 测量范围 Measuring Range | 分辨力 Resolution | 示值误差 Indication Error | L | A | B | a | 质量 Weight(kg) | 备注 Remarks |
|----------------|-------------------------|-------------------|--------------------------|-----|----|----|----|------------------|---------------|
| 605C-01 | 0-150 | 0.01 | ±0.03 | 236 | 40 | 21 | 16 | 0.17 | |
| 605C-02 | 0-200 | 0.01 | ±0.03 | 286 | 50 | 24 | 16 | 0.20 | II 型、蓝牙连接 |
| 605C-03 | 0-300 | 0.01 | ±0.04 | 400 | 60 | 26 | 16 | 0.28 | |

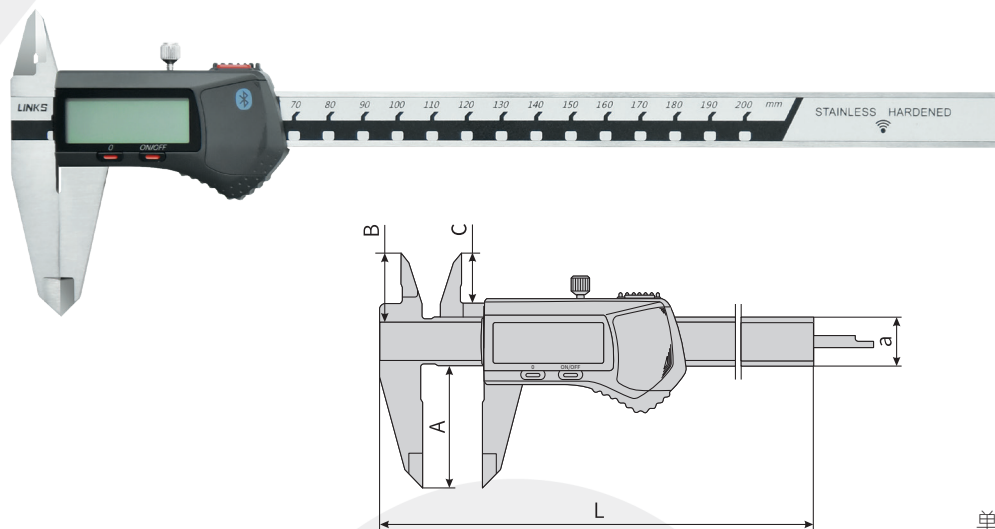
订货说明：按产品对应的编号订货。

Order Description: order according to the number of products.

Bluetooth Digital Calipers 605F

蓝牙数显卡尺 605F

- 内置蓝牙，可将测量数据传输到平板电脑和 PC 电脑
 - 简易连接软件模式和 HID 配对键盘模式，两种工作模式
 - 具备 OTA 无线升级功能，功能定制升级，无需返厂
 - 提供 AAR 文件中间开发包，支持二次开发
 - 开阔地传输距离 ≤ 10 米，工业环境传输距离 ≤ 7 米
 - 最多同时连接 15 把卡尺（具体数量视客户端性能而定）
 - 超低功耗，低电压报警
 - 可测量工件内径，外径，深度，台阶
- Built-in Bluetooth, measurement data can be transmitted to tablets and PC computers.
 - Simple connection software mode and HID paired keyboard mode, two working modes.
 - With OTA wireless upgrade function, function customization and upgrade, no need to return to the factory.
 - Provide AAR file intermediate development package, supporting secondary development.
 - Transmission distance ≤ 10m (open land); ≤ 7m (industrial environment).
 - At most 15 calipers can be connected at the same time(the specific number depends on the performance of the client).
 - Ultra-low power consumption, low voltage alarm.
 - It can measure the inner diameter, outer diameter, depth, and steps of the workpiece.



单位 (Unit) : mm

| 编号 Item No. | 测量范围 Measuring Range | 分辨力 Resolution | 示值误差 Indication Error | L | A | B | C | a | 质量 Weight(kg) | 备注 Remarks |
|----------------|-------------------------|-------------------|--------------------------|-----|----|----|------|----|------------------|---------------|
| 605F-01 | 0-150 | 0.01 | ±0.02 | 236 | 40 | 21 | 16.5 | 16 | 0.18 | |
| 605F-02 | 0-200 | 0.01 | ±0.02 | 286 | 50 | 24 | 19.5 | 16 | 0.21 | II 型、蓝牙连接 |
| 605F-03 | 0-300 | 0.01 | ±0.03 | 400 | 60 | 26 | 21.5 | 16 | 0.27 | |

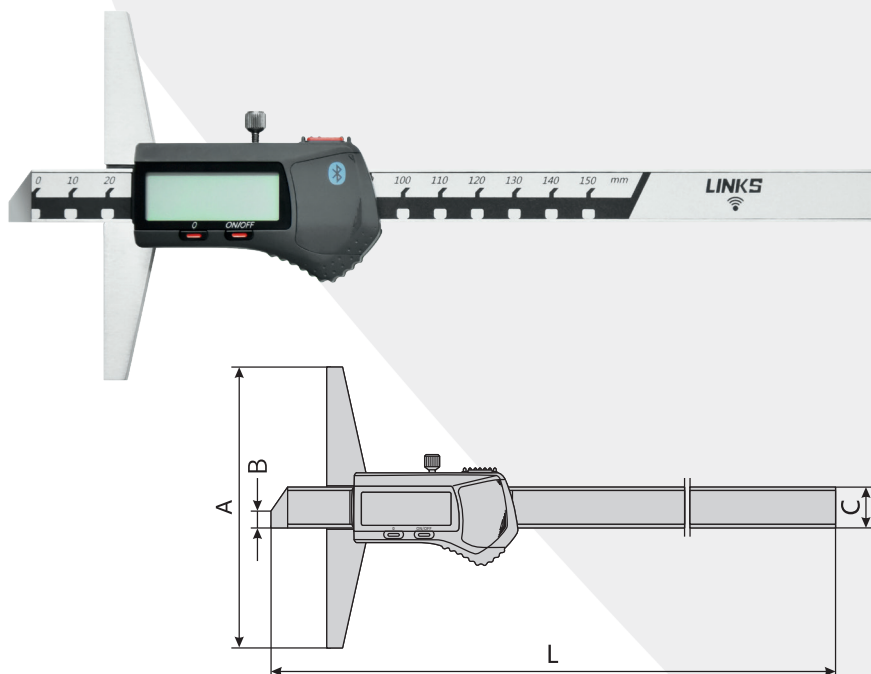
订货说明：按产品对应的编号订货。

Order Description: order according to the number of products.

Bluetooth Digital Depth Calipers 615B

蓝牙数显深度卡尺 615B

- 内置蓝牙，可将测量数据传输到平板电脑和 PC 电脑
- 简易连接软件模式和 HID 配对键盘模式，两种工作模式
- 具备 OTA 无线升级功能，功能定制升级，无需返厂
- 用于精确测量孔深和台阶高度
- 开阔地传输距离 ≤ 10 米，工业环境传输距离 ≤ 7 米
- Built-in Bluetooth, measurement data can be transmitted to tablets and PC computers.
- Simple connection software mode and HID paired keyboard mode, two working modes.
- With OTA wireless upgrade function, function customization and upgrade, no need to return to the factory.
- Easy use for depth and step measurements.
- Transmission distance ≤ 10m (open land); ≤ 7m (industrial environment).



单位 (Unit) : mm

| 编号 Item No. | 测量范围 Measuring Range | 分辨力 Resolution | 示值误差 Indication Error | L | A | B | C | 质量 Weight(kg) | 备注 Remarks |
|----------------|-------------------------|-------------------|--------------------------|-----|-----|---|------|------------------|---------------|
| 615B-01 | 0-150 | 0.01 | ±0.03 | 235 | 100 | 6 | 14.5 | 0.21 | 蓝牙连接 |
| 615B-02 | 0-200 | 0.01 | ±0.03 | 285 | 100 | 6 | 14.5 | 0.23 | |
| 615B-03 | 0-300 | 0.01 | ±0.04 | 385 | 100 | 6 | 14.5 | 0.27 | |

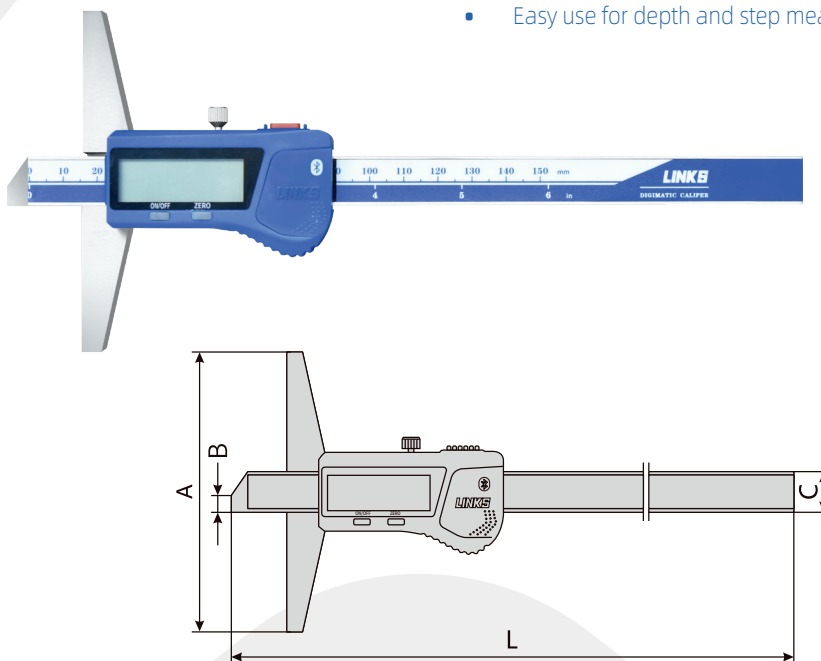
订货说明：按产品对应的编号订货。

Order Description: order according to the number of products.

Bluetooth Digital Depth Calipers 615C

蓝牙数显深度卡尺 615C

- 采用段码式液晶显示屏显示测量数据
- 方便的操作按键，测量数据保持等功能
- 3V 锂电池供电，单尺可工作一年
- 内置高效蓝牙模块，实现测量数据即时无线传输至智能平板电脑或 PC，无缝对接各类数据分析软件，让数据记录、分析、报告一气呵成，大幅提升工作效率与决策速度。
- 用于精确测量孔深和台阶高度
- The measurement data is displayed on a segment-coded LCD display.
- Convenient operation buttons, measurement data retention and other functions.
- 3V lithium battery power supply, single foot can work for one year.
- Built-in high-performance Bluetooth module enables real-time wireless transmission of measurement data to tablets, or PCs. It ensures seamless compatibility with diverse data analysis software platforms, streamlining the entire workflow from data logging and analysis to report generation. This integration significantly enhances operational efficiency and accelerates decision-making processes.
- Easy use for depth and step measurements.



单位 (Unit) : mm

| 编号 Item No. | 测量范围 Measuring Range | 分辨率 Resolution | 示值误差 Indication Error | L | A | B | C | 质量 Weight(kg) | 备注 Remarks |
|----------------|-------------------------|-------------------|--------------------------|-------|-----|---|------|------------------|---------------|
| 615C-01 | 0-150 | 0.01 | ±0.03 | 235.5 | 100 | 6 | 14.5 | 0.20 | |
| 615C-02 | 0-200 | 0.01 | ±0.03 | 285 | 100 | 6 | 14.5 | 0.23 | 蓝牙连接 |
| 615C-03 | 0-300 | 0.01 | ±0.04 | 385 | 100 | 6 | 14.5 | 0.27 | |

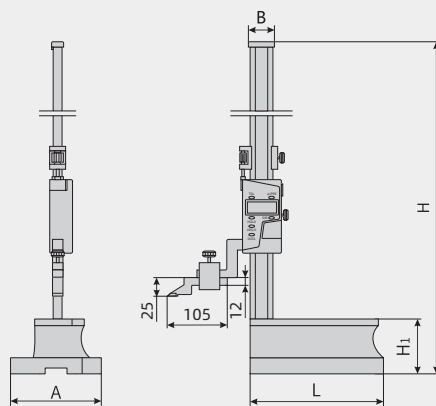
订货说明：按产品对应的编号订货。

Order Description: order according to the number of products.

Bluetooth Digital Height Calipers 611A

蓝牙数显高度卡尺 611A

- 用于高度测量和划线，划线爪镶硬质合金
 - 任意位置清零，便于相对测量与绝对测量转换
 - 任意位置公制与英制转换
 - 带数据保持功能、预置功能、公差带设置功能、微调装置
 - 内置蓝牙，可将测量数据传输到平板电脑和 PC 电脑
 - 简易连接软件模式和 HID 配对键盘模式，两种工作模式
 - 具备 OTA 无线升级功能，功能定制升级，无需返厂
 - 开阔地传输距离≤ 10 米，工业环境传输距离≤ 7 米
- Easy use of height measurements and scribing, With carbide-tipped scriber.
 - Zero-setting at any position, convenient for relative and absolute measure conversion.
 - mm/inch conversion at any position.
 - Date hold, Preset any reading at any position, Tolerances setting, With fine adjustment carriage.
 - Built-in Bluetooth, measurement data can be transmitted to tablets and PC computers.
 - Simple connection software mode and HID paired keyboard mode.
 - With OTA wireless upgrade function, function customization and upgrade, no need to return to the factory.
 - Transmission distance ≤ 10m (open land); ≤ 7m (industrial environment).



单位 (Unit) : mm

| 编号 Item No. | 测量范围 Measuring Range | 分辨力 Resolution | 示值误差 Indication Error | L | A | H | H ₁ | 质量 Weight(kg) | 备注 Remarks |
|----------------|-------------------------|-------------------|--------------------------|-----|-----|-----|----------------|------------------|---------------|
| 611A-01 | 0-200 | 0.01 | ±0.03 | 180 | 120 | 420 | 53 | 4.28 | 蓝牙连接 |
| 611A-02 | 0-300 | 0.01 | ±0.04 | 180 | 120 | 520 | 53 | 4.59 | |
| 611A-03 | 0-500 | 0.01 | ±0.05 | 180 | 120 | 720 | 53 | 5.08 | |

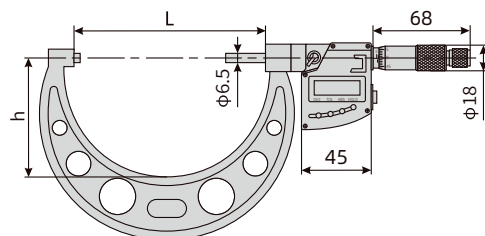
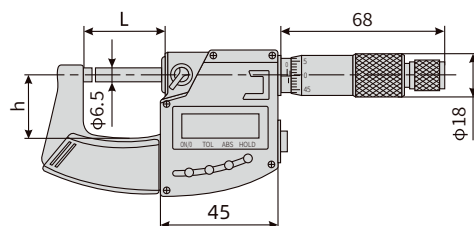
订货说明：按产品对应的编号订货。

Order Description: order according to the number of products.

Bluetooth Digital Outside Micrometer 704B

蓝牙数显外径千分尺 704B

- 内置蓝牙，可将测量数据传输到平板电脑和 PC 电脑
- 简易连接软件模式和 HID 配对键盘模式，两种工作模式
- 具备 OTA 无线升级功能，功能定制升级，无需返厂
- IP65 防护等级
- 硬质合金测量面，棘轮测力
- Built-in Bluetooth, measurement data can be transmitted to tablets and PC computers.
- Simple connection software mode and HID paired keyboard mode, two working modes.
- With OTA wireless upgrade function, function customization and upgrade, no need to return to the factory.
- IP65 water-proof function.
- Hard metal measuring surfaces, with ratchet force.



单位 (Unit) : mm

| 编号 Item No. | 测量范围 Measuring Range | 分辨力 Resolution | 示值误差 Indication Error | L | h | 质量 Weight(kg) | 备注 Remarks |
|----------------|-------------------------|-------------------|--------------------------|-----|------|------------------|---------------|
| 704B-01 | 0-25 | 0.001 | 0.002 | 33 | 25 | 0.31 | |
| 704B-02 | 25-50 | 0.001 | 0.002 | 58 | 34.5 | 0.41 | |
| 704B-03 | 50-75 | 0.001 | 0.003 | 83 | 48.5 | 0.55 | IP65 防护等级 |
| 704B-04 | 75-100 | 0.001 | 0.003 | 108 | 58 | 0.65 | 蓝牙连接 |
| 704B-05 | 100-125 | 0.001 | 0.003 | 131 | 80 | 0.64 | |
| 704B-06 | 125-150 | 0.001 | 0.003 | 156 | 94 | 0.75 | |

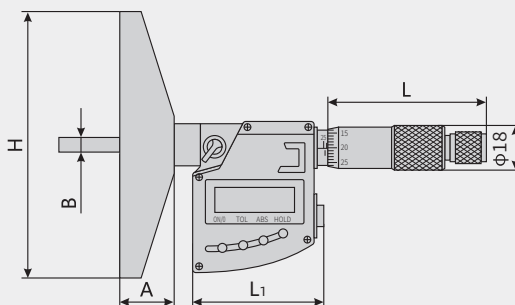
订货说明：按产品对应的编号订货。

Order Description: order according to the number of products.

Bluetooth Digital Depth Micrometer 713B

蓝牙数显深度千分尺 713B

- 内置蓝牙，可将测量数据传输到平板电脑和 PC 电脑
- 简易连接软件模式和 HID 配对键盘模式，两种工作模式
- 具备 OTA 无线升级功能，功能定制升级，无需返厂
- 开阔地传输距离 ≤ 10 米，工业环境传输距离 ≤ 7 米
- 硬质合金测量面，棘轮测力
- Built-in Bluetooth, measurement data can be transmitted to tablets and PC computers.
- Simple connection software mode and HID paired keyboard mode, two working modes.
- With OTA wireless upgrade function, function customization and upgrade, no need to return to the factory.
- Transmission distance ≤ 10m (open land); ≤ 7m (industrial environment).
- Hard metal measuring surfaces, with ratchet force.



单位 (Unit) : mm

| 编号 Item No. | 测量范围 Measuring Range | 分辨力 Resolution | 示值误差 Indication Error | L | L ₁ | H | A | B | 质量 Weight(kg) | 备注 Remarks |
|----------------|-------------------------|-------------------|--------------------------|------|----------------|-----|----|------|------------------|---------------|
| 713B-01 | 0-25 | 0.001 | 0.004 | 63.5 | 50 | 100 | 21 | Φ6.5 | 0.42 | 蓝牙连接 |

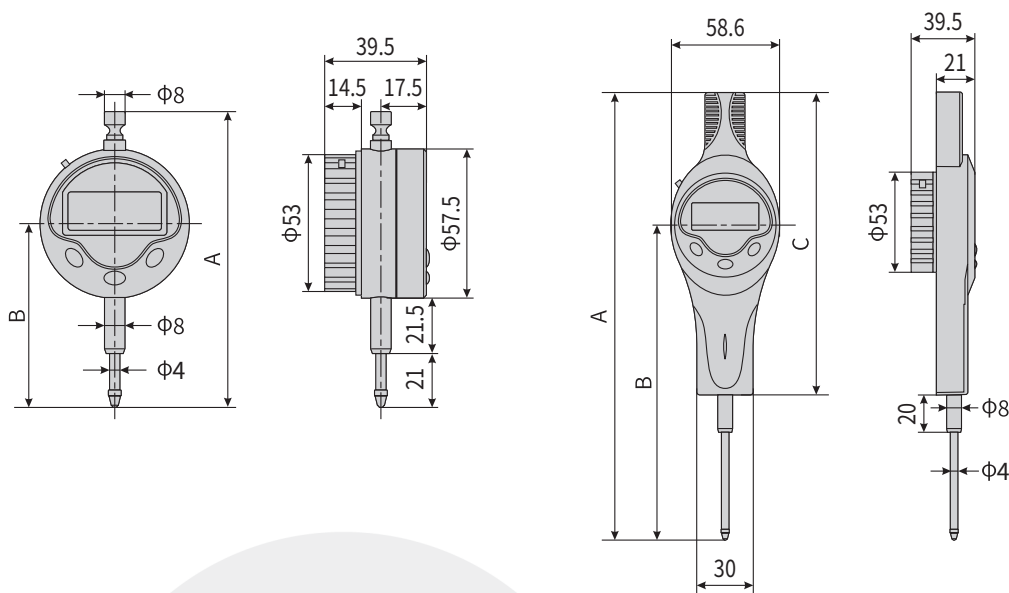
订货说明：按产品对应的编号订货。

Order Description: order according to the number of products.

Bluetooth 0.01mm Digital Indicators 806A

蓝牙数显百分表 806A

- 内置蓝牙，可将测量数据传输到平板电脑和 PC 电脑
- 简易连接软件模式和 HID 配对键盘模式，两种工作模式
- 具备 OTA 无线升级功能，功能定制升级，无需返厂
- 双电源供电，纽扣电池 1.5V(表头),CR20323V(后盖)
- 任意位置公英制转换
- Built-in Bluetooth, measurement data can be transmitted to tablets and PC computers.
- Simple connection software mode and HID paired keyboard mode, two working modes.
- With OTA wireless upgrade function, function customization and upgrade, no need to return to the factory.
- Dual power supply, button battery 1.5V (meter head), CR2032 3V(rear cover).
- Metr/Inch system conversion at any position.



单位 (Unit) : mm

| 编号 Item No. | 测量范围 Measuring Range | 分辨力 Resolution (mm) | 示值误差 Indication Error | A | B | C | 质量 Weight(kg) | 备注 Remarks |
|----------------|-------------------------|------------------------|--------------------------|-------|------|-----|------------------|---------------|
| 806A-01 | 0-12.7 | 0.01 | 0.03 | 114 | 71 | --- | 0.13 | |
| 806A-02 | 0-25 | 0.01 | 0.03 | 126.5 | 83.5 | 122 | 0.13 | 蓝牙传输 |
| 806A-03 | 0-50 | 0.01 | 0.03 | 239 | 168 | 162 | 0.18 | |

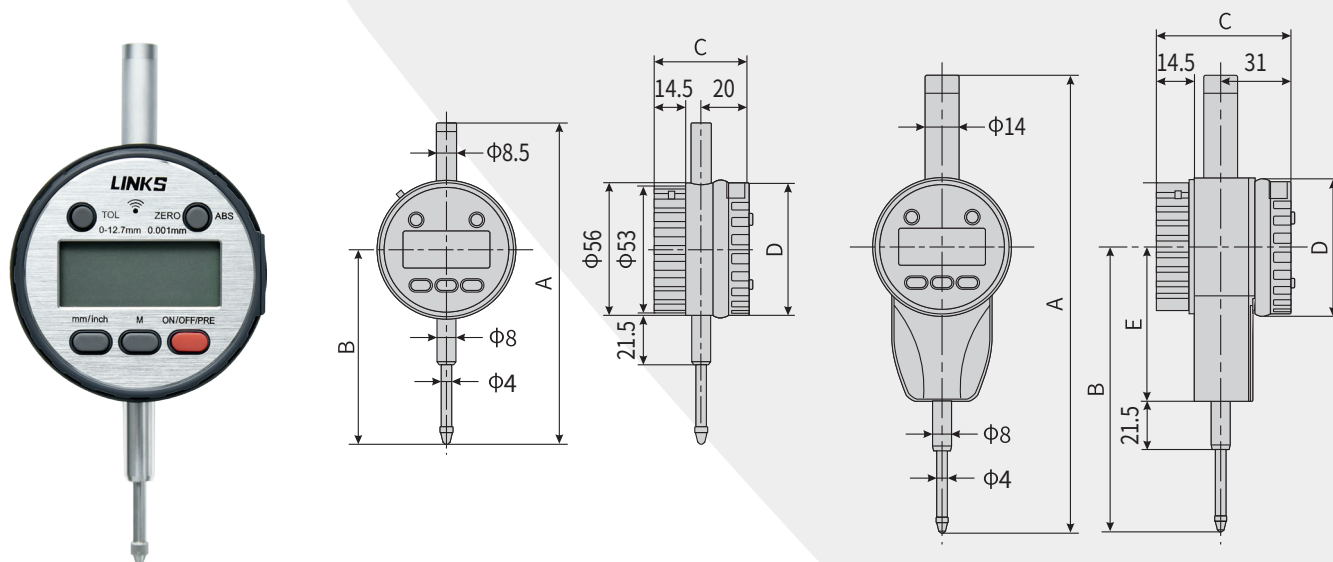
订货说明：按产品对应的编号订货。

Order Description: order according to the number of products.

Bluetooth 0.001mm Digital Indicators 806B

蓝牙数显千分表 806B

- 内置蓝牙，可将测量数据传输到平板电脑和 PC 电脑
- 简易连接软件模式和 HID 配对键盘模式，两种工作模式
- 具备 OTA 无线升级功能，功能定制升级，无需返厂
- 双电源供电，纽扣电池 CR1632 3V(表头)，CR2032 3V(后盖)
- 任意位置公英制转换
- Built-in Bluetooth, measurement data can be transmitted to tablets and PC computers.
- Simple connection software mode and HID paired keyboard mode, two working modes.
- With OTA wireless upgrade function, function customization and upgrade, no need to return to the factory.
- Dual power supply, button battery CR1632 3V (meter head), CR2032 3V(rear cover).
- Metr/Inch system conversion at any position.



单位 (Unit) : mm

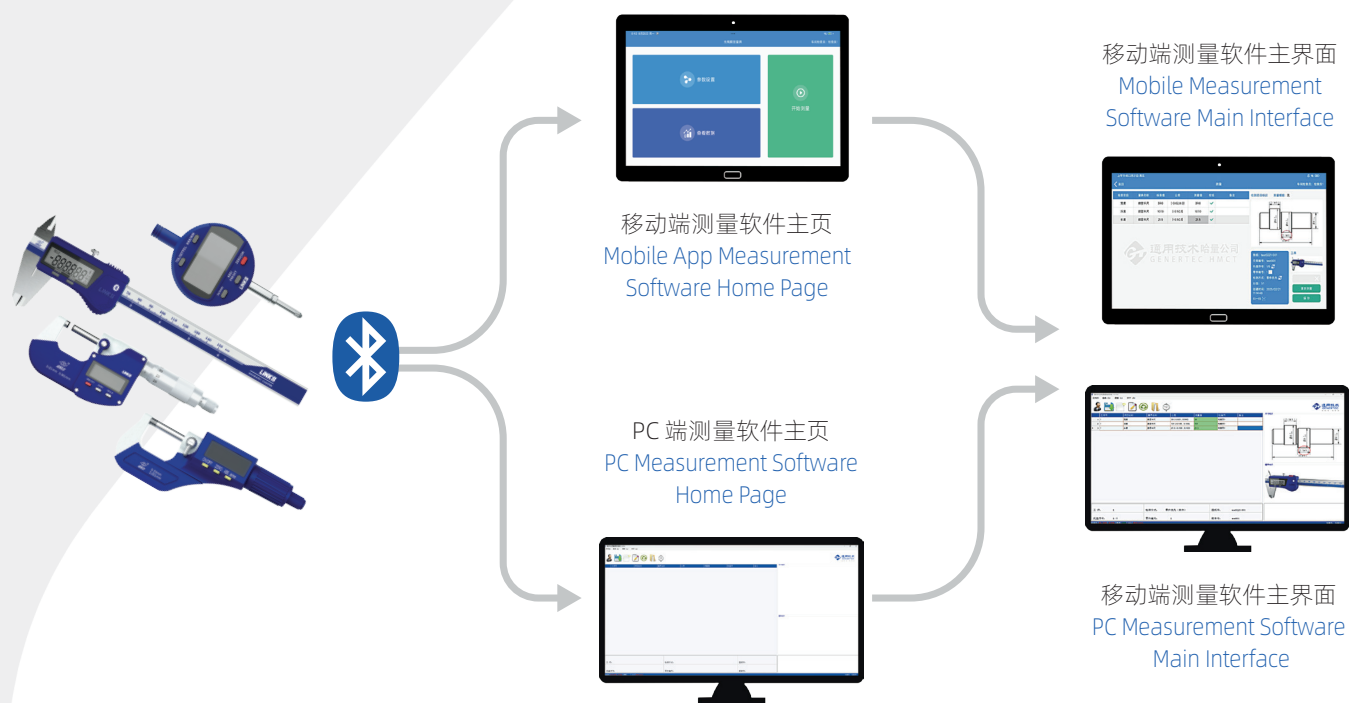
| 编号 Item No. | 测量范围 Measuring Range | 分辨力 Resolution (mm) | 示值误差 Indication Error | A | B | C | D | E | 质量 Weight(kg) | 备注 Remarks |
|----------------|-------------------------|------------------------|--------------------------|-------|-----|------|----|-----|------------------|---------------|
| 806B-01 | 0-12.7 | 0.001 | 0.005 | 123.5 | 70 | 41.5 | 59 | --- | 0.14 | |
| 806B-02 | 0-25 | 0.001 | 0.007 | 190 | 118 | 56.5 | 59 | 63 | 0.25 | 蓝牙传输 |
| 806B-03 | 0-50 | 0.001 | 0.01 | 282 | 184 | 56.5 | 59 | 105 | 0.32 | |

订货说明：按产品对应的编号订货。

Order Description: order according to the number of products.

Measurement Data Bluetooth Transmission and Multi-Platform Application

测量数据蓝牙传输与多端应用示意图



The explanation, diagram and technical parameter are varying with continuous technology development without further notice.
产品样本内，说明文字、图样及技术参数随技术发展而更改，不加行通知。

服务专线

400-008-1952



通用技术集团哈尔滨量具刃具有限责任公司
哈尔滨市香坊区和平路 44 号
服务电话：0451-86792159
扫描二维码关注官方微信

<https://links.gt.cn>